



Climatix™

## Climatix touch panel

**POL8T1.4X/STD**  
**POL8T1.7X/STD**  
**POL8T1.8X/STD**

---

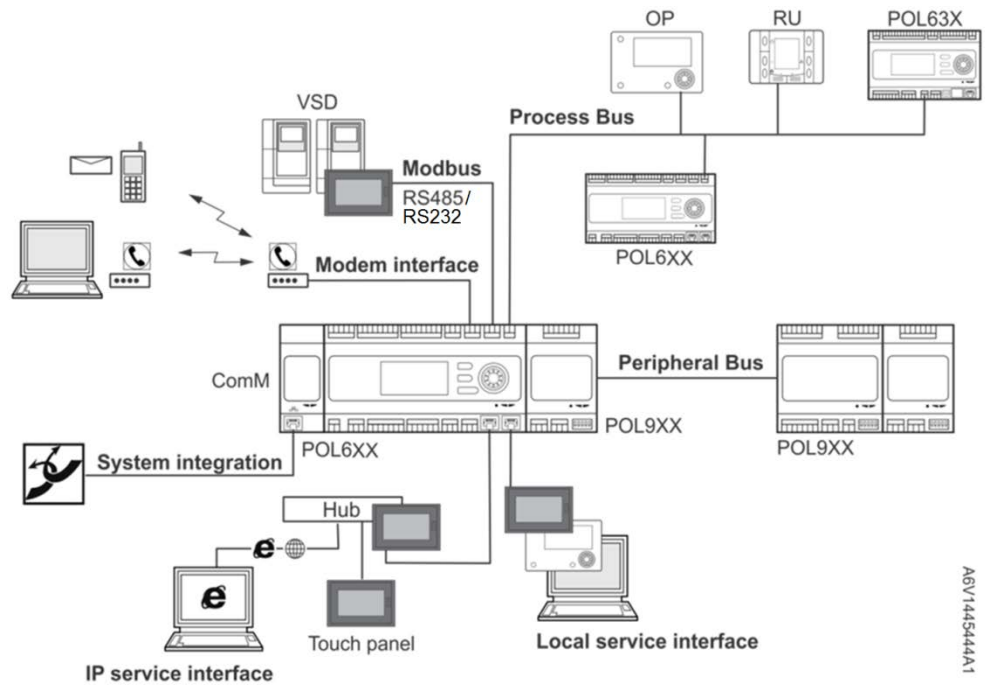
### The Climatix touch panel offers the following features:

- Power supply over DC 24V
- Ethernet port and RS485/RS232 serial port connection
- SD<sup>1)</sup> card and USB interfaces for data import and export
- Panel-mounted installation with IP65 front protection degree
- Communication over Modbus protocol
- Connection with multiple controllers
- Application upgrade by using an SD<sup>1)</sup> card or a USB stick
- Programmable graphical interface with 3<sup>rd</sup> party Multilanguage engineering tool
- Off-line user interface simulation
- Support Multilanguage
- Multi-level passwords access
- Time scheduler and trend view functions
- Data tag management
- Time sync with Climatix controller
- Graphical extendable database with HVAC pictures and animations
- Support C-like script language programming

<sup>1)</sup> The 4.3" type touch panel does not support SD card.

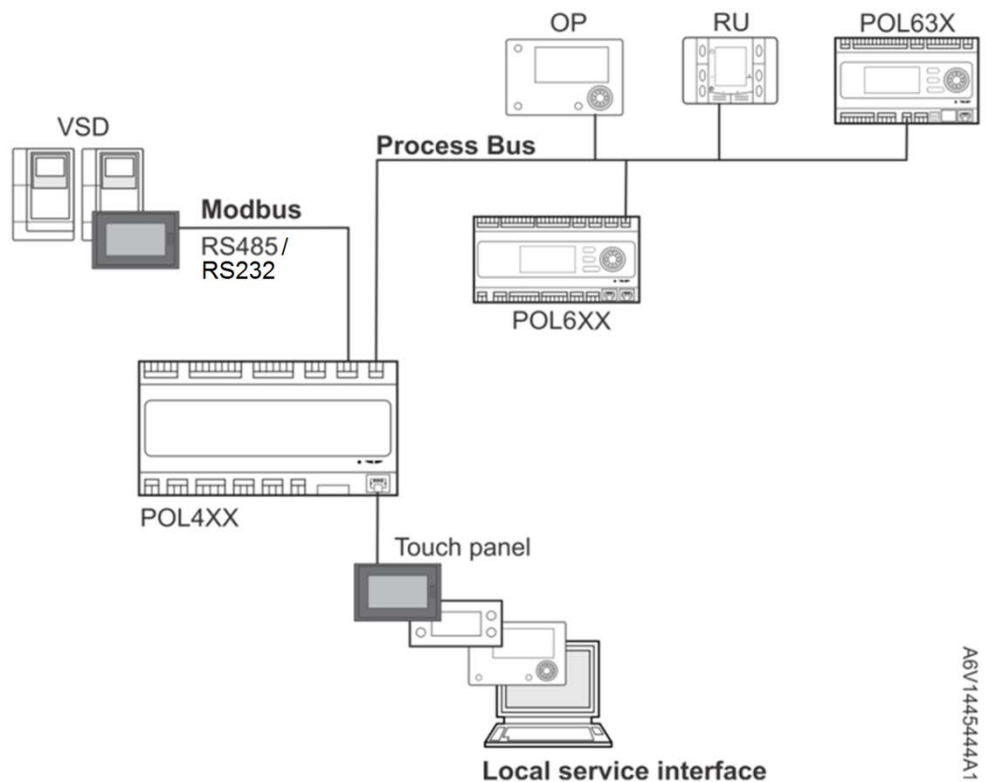
**Communication concept**

The following figures show examples of the communication between the Climatix touch panel, the PC, and the Climatix controller.



Climatix POL6XX communication concept

A6V1445444A1



Climatix POL4XX communication concept

A6V1445444A1

## Technical data

		POL8T1.4X/STD	POL8T1.7X/STD	POL8T1.8X/STD
Power supply	Rated voltage (range)	DC 24V (±15%)		
	Consumption	6 W	7 W	12 W
	Withstand voltage test	1000V AC, 1 minute		
Interfaces	Connection to IP service interface	RJ45, 10 / 100 Mbps		
	Ethernet port	Yes		
	CAN	N/A		
	USB port	Yes		
	SD card	N/A	Yes	Yes
	Serial interface	COM1: RS485/RS232	COM1 and COM2: RS485/RS232	COM1 and COM2: RS485/RS232
Memory	Application memory	256 M flash / 512 M DDR3		
CPU		Cortex A8, 720 MHz		
Display	Backlight	LED		
	Type	LCD TFT		
	Resolution (pixels)	480 × 272	800 × 480	800 × 600
	Colors	16,770,000		
	Contrast control	No		
	Brightness control	Yes		
	Contrast (TYP)	400 : 1	500 : 1	450 : 1
	Brightness (TYP)	500 cd/m <sup>2</sup>	250 cd/m <sup>2</sup>	330 cd/m <sup>2</sup>
	Active display area	4.3" (16 : 9)	7" (16 : 9)	12.1" (4 : 3)
Environmental conditions	Operation - Temperature - Humidity - Atmospheric pressure	-20...+50°C 10...90 % RH min 700 hPa (equal to max 3000 m above sea level)		
	Transport - Temperature - Humidity - Atmospheric pressure	-25...+70°C 10...90% RH min 260 hPa (equal to max 10,000 m above sea level)		
Protection	Degree of protection - Front - Rear panel	In accordance with IEC 60529 IP 65 IP 20		
Housing material		ABS + PC		
Configuration software		HMI-TOOLS (3 <sup>rd</sup> party engineering software)		
Touchpad		4 wires high-precision resistive touch screen		
Standards	EU Conformity (CE)	8000079438		
	FCC compatibility	In accordance with FCC, Class A		
	Listings - Industrial Control Equipment - Process Control Equipment	UL 508 and CUL 508		
Environmental compatibility	The product environmental declaration (8000079408) contains data on environmentally compatible product design and assessments (RoHS compliance, materials composition, packaging, environmental benefit, disposal).			

		POL8T1.4X/STD	POL8T1.7X/STD	POL8T1.8X/STD
General data	Dimensions (mm)	173 × 95 × 39	227 × 153 × 40	340 × 256 × 54
	Cut-out (mm)	163 × 85	210 × 144	330 × 246
	Weight (kg)	0.2	1.5	2.2
Ordering data	Article type (ASN)	POL8T1.40/STD	POL8T1.70/STD	POL8T1.80/STD
	Material (SSN)	S55626-H814-A100	S55626-H817-A100	S55626-H818-A100
	Minimum order quantity	1	1	1
Product package*)	Touch panel	1	1	1
	Mounting clips	4	4	7
	Power supply terminal	1	1	1

\*) Power supply and communication cables are not included in product package.

## Engineering notes



The design complies with SELV conforming to EN 60730-1. To ensure protection against accidental contact with any other part carrying voltages above 42 V<sub>rms</sub>, take care of connection when wiring.

## Disposal notes



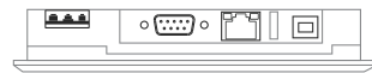
The devices are considered electronics devices for disposal in terms of European Directive 2012/19/EU and may not be disposed of as domestic waste.

- Dispose of the touch panel via the channels provided for this purpose.
- Comply with all local and currently applicable laws and regulations.

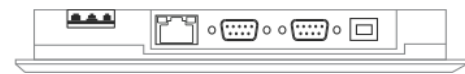
## Connection terminals

### Positioning

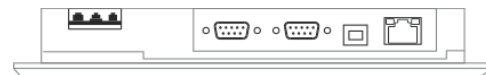
**Note:** Graphics are not to scale.



POL8T1.4X/STD

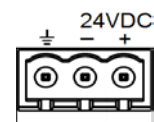


POL8T1.7X/STD

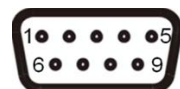


POL8T1.8X/STD

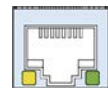
### Connection terminals



24 V DC, ± 15%  
Connection to power supply



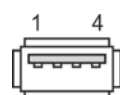
RS485/RS232  
Connection to Climatix controller



RJ45  
Connection to configuration PC, Climatix controller, or IP service interface



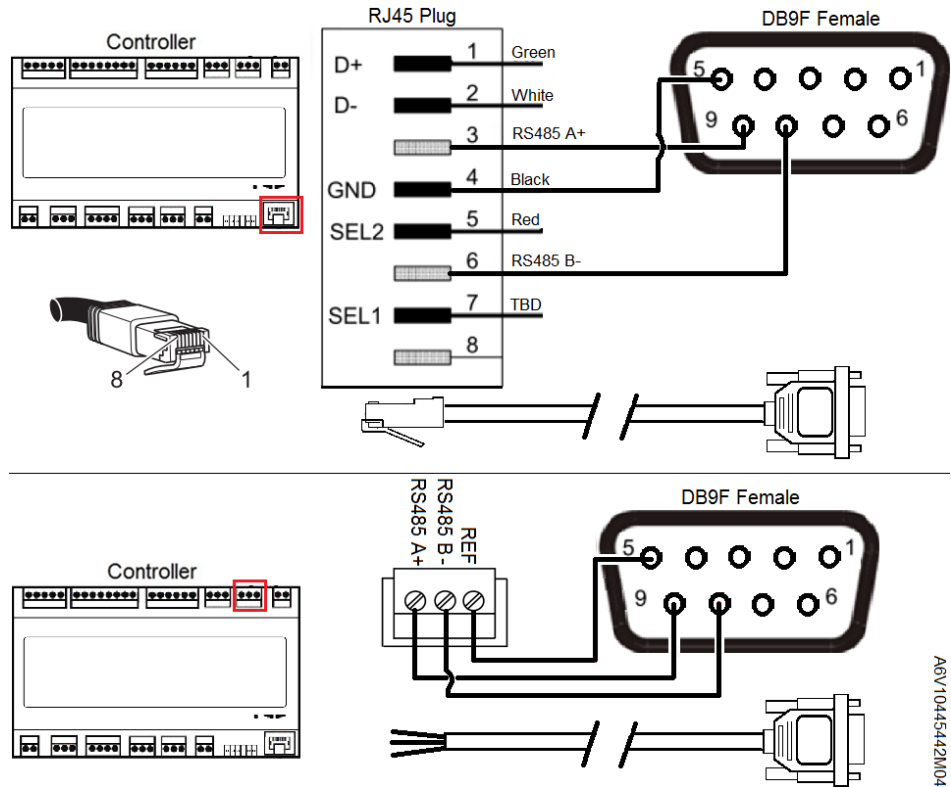
Female USB Type B  
Connection to configuration PC



Female USB Type A  
Connection to USB stick  
For POL8T1.4X/STD, this interface is on the right of the RJ45 interface.  
For POL8T1.7X/STD and POL8T1.8X/STD, this interface is located beside the DIP switches on the back of the touch panel.

Communication cable

The RS485 connection is shown as an example.



**Note:** Accessory POL0C1.45/STD (touch panel-controller communication cable) has an RJ45 connector. To connect touch panel to Climatix controller RS485/RS232 port, cut-off plug and connect 3 wires. If a customized cable is used, ensure that the cable length is less than 3 m.



Connection via plug at the right side of the POL8T1.7X/STD and POL8T1.8X/STD

Card type	SD, SDHC
Max. capability	16 GB
Formation	FAT16, FAT32

LED indicators

Marking	Indicator name	Color	Mode	Description
⚡	Power supply	Green	On	Powered on
			Off	No power
⏻	Operation	Yellow	On	No detected fault
			Off	CPU fault detected in the device
📶	Communication	Yellow	Flashing	Communication in progress
			Off	No communication

DIP switches

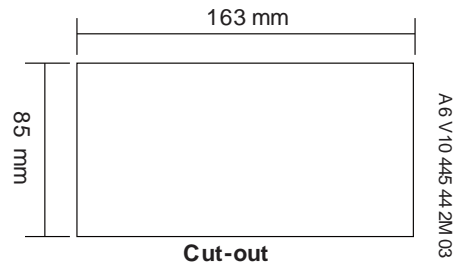
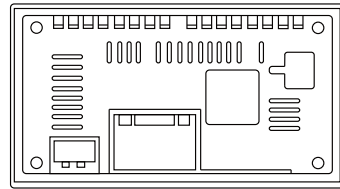
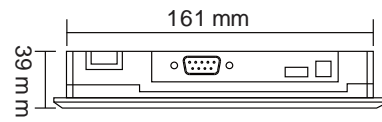
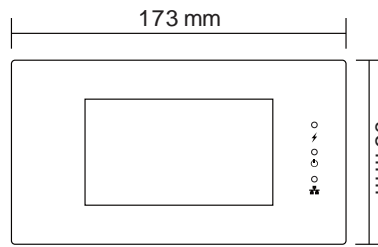
The DIP switches are located on the back of the Climatix touch panel.

DIP switches <sup>*)</sup> (1 – 5)	Function
00000	Normal operation mode
01000	Setting mode
10000	Calibrate the touch screen
10100	Enter Android system
00100	Firmware upgrade mode

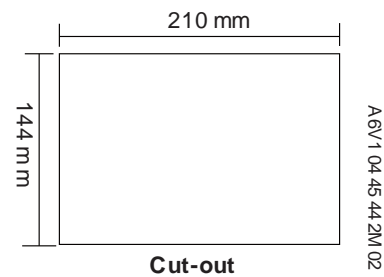
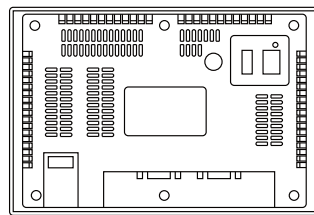
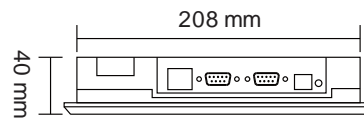
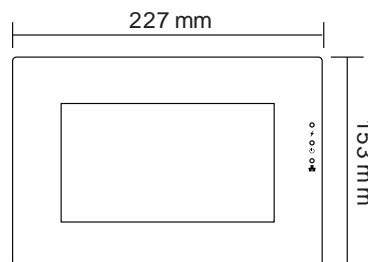
<sup>\*)</sup> DIP switch status: ON=1, OFF=0

## Dimensions

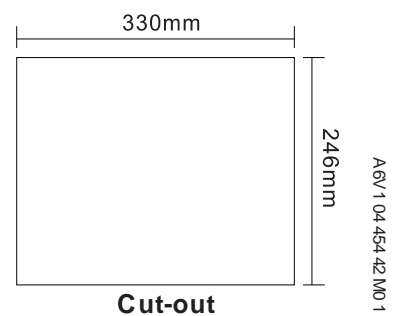
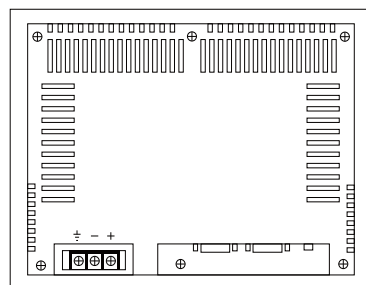
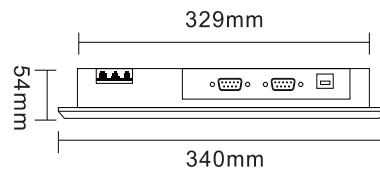
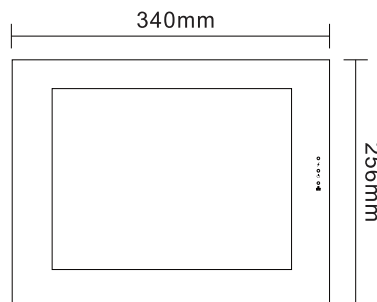
### POL8T1.4X/STD



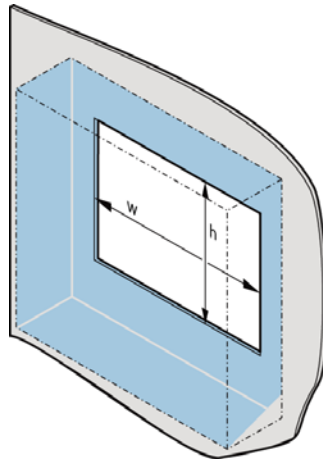
### POL8T1.7X/STD



### POL8T1.8X/STD



## Cut-out panels



### Horizontal mounting

POL8T1.4X/STD	POL8T1.7X/STD	POL8T1.8X/STD
w: 163 mm	w: 210 mm	w: 330 mm
h: 85 mm	h: 144 mm	h: 246 mm

For Flat Surface Mounting on Type 1 Enclosure.

## Ordering

Please specify the quantity, product name, ASN (product number) and SSN (stock number) when ordering. The following table gives some examples.

Quantity	Product name	ASN	SSN
1	Climatix touch panel 4.3"	POL8T1.40/STD	S55626-H814-A100
1	Climatix touch panel 7"	POL8T1.70/STD	S55626-H817-A100
1	Climatix touch panel 12"	POL8T1.80/STD	S55626-H818-A100

## FCC compliance notes

This device complies with part 15 of the FCC Rules. Operation is subject to the following two conditions:

- This device may not cause harmful interference
- This device must accept any interference received, including interference that may cause undesired operation.

Datasheet for Class A device:

Note: This equipment has been tested and found to comply with the limits for a Class A digital device, pursuant to part 15 of the FCC Rules. These limits are designed to provide reasonable protection against harmful interference when the equipment is operated in a commercial environment. This equipment generates, uses, and can radiate radio frequency energy and, if not installed and used in accordance with the instruction manual, may cause harmful interference to radio communications. Operation of this equipment in a residential area is likely to cause harmful interference in which case the user will be required to correct the interference at his own expense.