

Sinteso™/ Cerberus™ PRO

## Manual call point

FDM233, FDM234



### Manual call point for modernizing addressed systems

- For the modernization of SIGMACON- and SIGMALOOP manual call points for industrial applications
- Manual call points for addressed Sinteso FS20 and Cerberus PRO FS720 fire detection systems
- Manual call points FDM233 with indirect activation and FDM234 with direct activation
- Two-wire installation for all cable types
- Communication via FDnet/C-NET (addressed individually)

## Properties

### Features

- For the immediate manual activation of a fire alarm
- Protected electronics
- Built-in alarm indicator (LED)
- Integrated line separator
- Two-color LED for alarm and test

### Eco-friendly

- Environmentally friendly processing
- Reusable materials
- Electronic parts and synthetic materials can be easily separated

## Use

- For indoor and outdoor applications
- Also for humid, wet, and dusty areas
- For surface-mounted and recess-mounted feed lines in easily accessible locations

## Functions

### Manual call point FDM233

- Indirect alarm activation by smashing the glass insert and pressing the alarm button
- Open the door with the key to replace the glass insert. Reset the alarm button before closing the door.

### Manual call point FDM234

- Direct alarm activation by smashing the glass insert
- Open the door with the key to replace the glass insert. The alarm button is reset when the door is closed.

## FDM233

Type	Designation	Order number	Weight [kg]
FDM233 Complete	Red housing, glass, key, switching unit, red	S54311-F9-A1	0.301
FDMH294-R	Red housing, with glass and key	S54311-B3-A1	0.100
FDME233	Switching unit for FDM233	S54311-B5-A1	0.106

## FDM234

Type	Designation	Order number	Weight [kg]
FDMH294-R	Red housing, with glass and key	S54311-B3-A1	0.100
FDME234	Switching unit for FDM234	S54311-B4-A1	0.067

## Spare parts for FDM233, FDM234

	Glass insert	S24217-G41-A1	0.014
FDMK294	Key	S24217-G34-A1	0.002

## Product documentation

Document ID	Title
008164	Equipment overview Sinteso™ Detector system FD20
008331	List of compatibility (for 'Sinteso™' product line)
A6V10229261	List of compatibility (for 'Cerberus™ PRO' product line)
A6V10374017	Technical manual Manual call points FDM233, FDM234

Related documents such as the environmental declarations, CE declarations, etc., can be downloaded from the following Internet address:

<https://siemens.com/bt/download>

## Mounting

- Installation with recess-mounted feed lines
  - Break open the openings in the back box
- Installation with surface-mounted feed lines
  - Use the openings for cable glands at the top and bottom

The switching unit can be used immediately after the feed line has been connected; this enables lines to be tested quickly with the line tester FDUL221.

## Disposal



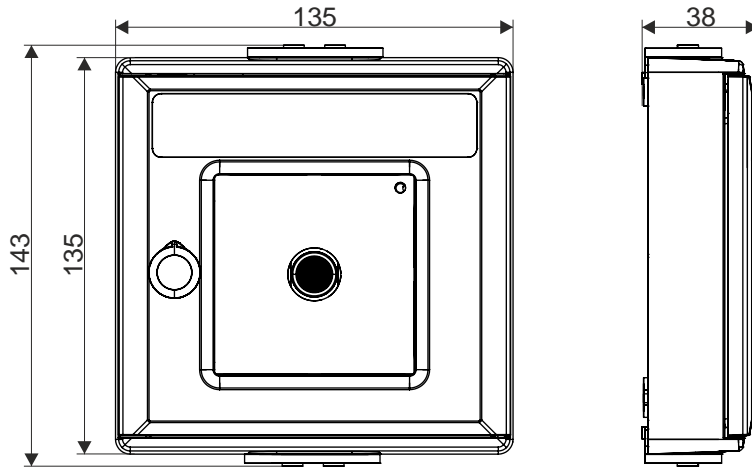
The device is considered an electronic device for disposal in accordance with the European Guidelines and may not be disposed of as domestic garbage.

- Dispose of the device through channels provided for this purpose.
- Comply with all local and currently applicable laws and regulations.

## Technical data

	FDM233	FDM234
Operating voltage	DC 12...33 V	
Operating current (quiescent)	Max. 200 µA	
Ext. alarm indicator (AI)	2	
Connection terminals	0.28...1.5 mm <sup>2</sup>	
Operating temperature	-25...+70 °C	
Storage temperature	-30...+75 °C	
Air humidity	≤95 % rel.	
Communication protocol	FDnet/C-NET	
Color	~RAL 3000 flame red	
Protection category (EN 60529 / IEC 529)	IP44	
Standards	EN 54-11, EN 54-17	
Design according to EN 54-11	Type B (indirect activation)	Type A (direct activation)
Approvals		
– VdS	G214019	G214020
System compatibility		
– FDnet	FS20 / SIGMASYS	
– C-NET	FS720 / SIGMASYS	

FDM233 / FDM234



14 <b>CE</b> 0786	<b>FDM233</b>	Siemens Schweiz AG, Theilerstrasse 1a CH-6300 Zug Technical data: see doc. <b>A6V10374017</b>
FDM233 - Manual callpoint incl. short-circuit isolator for use in fire detection and fire alarm systems installed in buildings.		
305/2011/EU (CPR): EN 54-11 / EN 54-17 ; 2014/30/EU (EMC): EN 50130-4 / EN 61000-6-3 ; 2011/65/EU (RoHS): EN 50581		
The declared performance and conformity can be seen in the Declaration of Performance (DoP) and the EU Declaration of Conformity (DoC), which is obtainable via the Customer Support center: Tel. +49 89 9221-8000 or <a href="https://siemens.com/bt/download">https://siemens.com/bt/download</a>		
DoP No.: 0786-CPR-21332; DoC No.: CED-FDM233		
14 <b>CE</b> 0786	<b>FDM234</b>	Siemens Schweiz AG, Theilerstrasse 1a CH-6300 Zug Technical data: see doc. <b>A6V10374017</b>
FDM234 - Manual callpoint incl. short-circuit isolator for use in fire detection and fire alarm systems installed in buildings.		
305/2011/EU (CPR): EN 54-11 / EN 54-17 ; 2014/30/EU (EMC): EN 50130-4 / EN 61000-6-3 ; 2011/65/EU (RoHS): EN 50581		
The declared performance and conformity can be seen in the Declaration of Performance (DoP) and the EU Declaration of Conformity (DoP), which is obtainable via the Customer Support center: Tel. +49 89 9221-8000 or <a href="https://siemens.com/bt/download">https://siemens.com/bt/download</a>		
DoP No.: 0786-CPR-21333; DoC No.: CED-FDM234		

Issued by  
Siemens Switzerland Ltd  
Building Technologies Division  
International Headquarters  
Theilerstrasse 1a  
CH-6300 Zug  
Tel. +41 58 724 2424  
[www.siemens.com/buildingtechnologies](http://www.siemens.com/buildingtechnologies)

© Siemens Switzerland Ltd, 2014  
Technical specifications and availability subject to change without notice.