



Interface module for PC OCI430A109 (PC software ACS420)

The OCI430A109 serves as an interface module between the ACS420 PC software and a LMS... basic unit.

The OCI430A109 and this Data Sheet are intended for use by OEMs which integrate the interface module in their products!

Use

The OCI430A109 is an interface module featuring galvanic isolation, which enables the LMS... basic units to be connected to a PC.

On the PC side, the OCI430A109 is to be connected to the USB port, on the basic unit side to the PSS port.

In connection with the ACS420 PC software, the following functions are provided:

- Visualization of unit data
- Parameterization of the basic units
- Logging

Warning notes

- H
- To avoid injury to persons, damage to property or the environment, the following warning notes must be observed!**
- Do not open, interfere with or modify the unit. Siemens will not assume responsibility for damage resulting from unauthorized interference!**
- All activities (mounting, installation and service work, etc.) must be performed by qualified staff
 - Before making any wiring changes in the connection area, completely isolate the plant from mains supply (all-polar disconnection). Ensure that the plant cannot be inadvertently switched on again and that it is indeed dead. If not observed, there is a risk of electric shock hazard
 - Cable extensions on the basic unit side (PSS line) are not permitted since there is no safe separation from mains voltage

Mounting notes

- Ensure that the relevant national safety regulations are complied with
 - Make certain that strain relief of the connected cables is in compliance with the relevant standards (e.g. as per DIN EN 60730 and DIN EN 60335)
 - Ensure that the USB connector is correctly plugged into the PC and that it cannot work loose during the time the ACS420 PC software is used
- Software installation
- When using the OCI430A109, the USB port on the PC requires special software components. These are delivered along with the ACS420 installation files

Standards and certificates



Note!
Only in connection with burner controls!



EAC Conformity mark (Eurasian Conformity mark)



ISO 9001:2008
ISO 14001:2004
OHSAS 18001:2007

Disposal notes

- mb
- The unit contains electrical and electronic components and must not be disposed of together with household waste. Local and currently valid legislation must be observed.

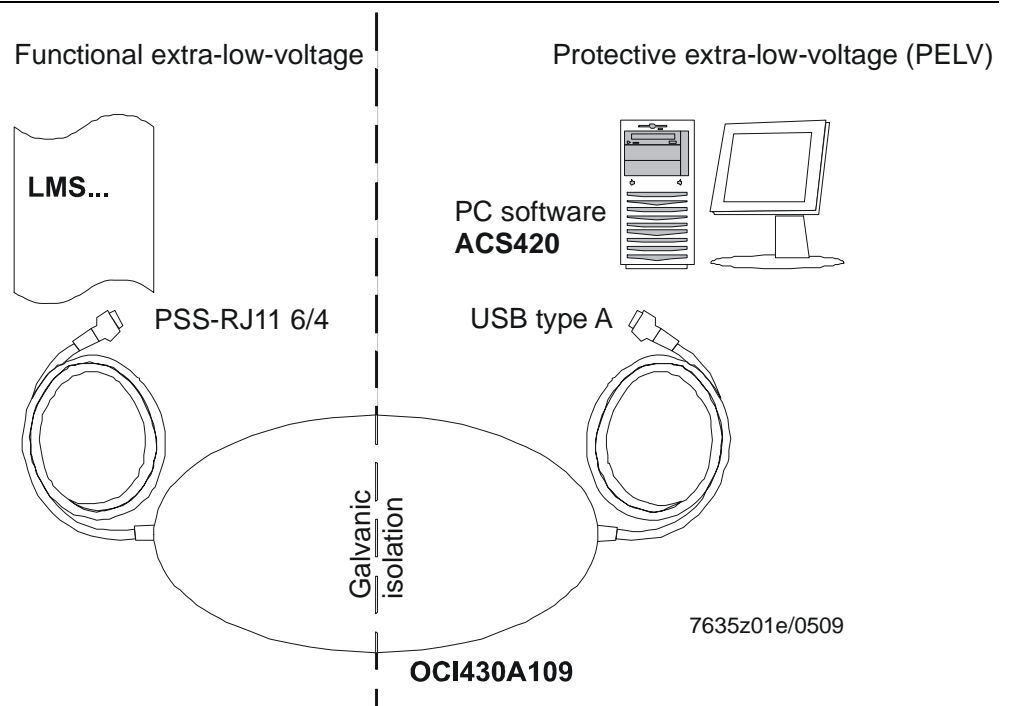
Technical data

| | | |
|--------------------------|--------------------------------|---------------------------------------|
| OCI430A109 | Operating voltage (USB supply) | DC 5 V \pm 5 % (PELV) |
| | Power consumption | <0.5 W |
| | Safety class | II |
| | Degree of protection | IP40 (to be ensured through mounting) |
| | Mounting position | Optional |
| System requirements | USB specification | Min. USB 1.1 |
| | Operating system | Win2000/XP |
| Cable lengths | USB | Approx. 1.5 m |
| | PSS | Approx. 1.5 m |
| Environmental conditions | Storage | DIN EN 60721-3-1 |
| | Climatic conditions | Class 1K3 |
| | Mechanical conditions | Class 1M2 |
| | Temperature range | -20...+60 °C |
| | Humidity | <95 % r.h. |
| | Transport | DIN EN 60721-3-2 |
| | Climatic conditions | Class 2K2 |
| | Mechanical conditions | Class 2M2 |
| | Temperature range | -20...+60 °C |
| | Humidity | <95 % r.h. |
| | Operation | DIN EN 60721-3-3 |
| | Climatic conditions | Class 3K3 |
| | Mechanical conditions | Class 3M3 |
| Temperature range | -20...+60 °C | |
| Humidity | <95 % r.h. | |



Condensation, formation of ice and ingress of water are not permitted!

Connection diagram



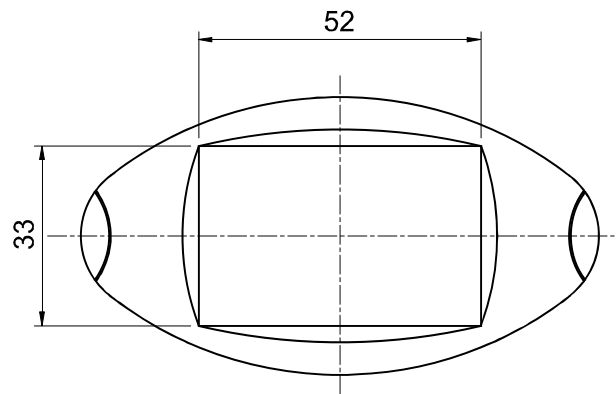
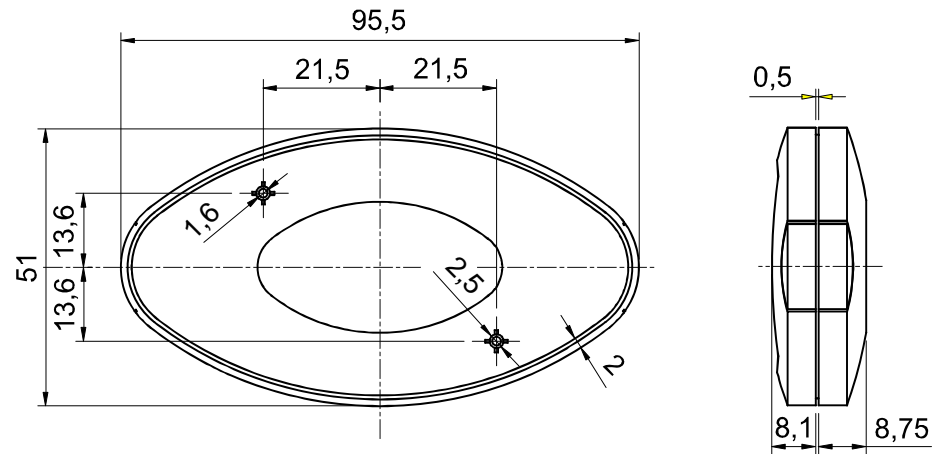
Indication of operating states via LEDs

| LED color | Description |
|---------------|--|
| Green, steady | Standby (LMS..., connected and ready to operate) |

Dimensions

Dimensions in mm

OCI430A109



7635m01/0309